

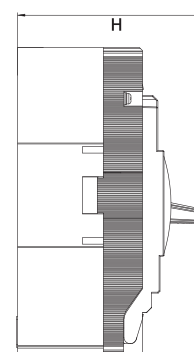
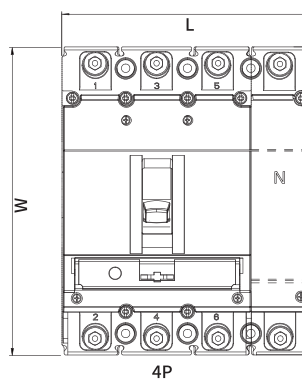
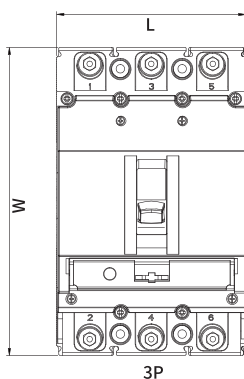


MOULDED CASE CIRCUIT BREAKER



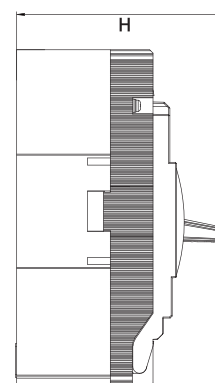
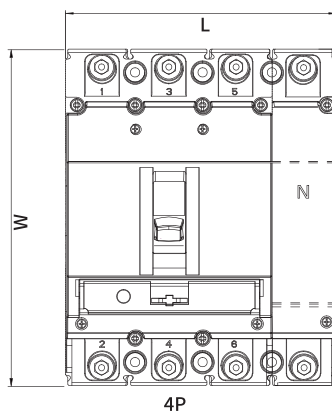
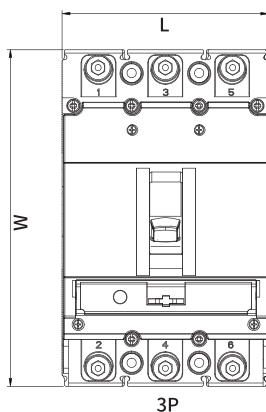
F-Type moulded case circuit breaker	Fixed Type									
Frame Size	125			160			250			
Model	125 F			160 F			250 F			
Number of poles	3.4			3.4			3.4			
Rated current (A) In	40.50.63. 70.80.90. 100.125			16,20,25,32,40,50, 63,80,100,125,140, 150,160			100,125,140,150,160,175,1 80,200,225,250			
Standard	IEC60947-2									
Reference temperature	40/50/55°C									
Rated operational voltage	380/400/415V AC									
Rated insulation voltage Ui (V)	690			800						
Rated impulse withstand voltage Uimp (kV)	8									
Breaking capacity level	D	E	H	K	K	M	H	K	M	
Rated ultimate short-circuit breaking capacity Icu(kA)	10	18	25	36	36	50	25	36	50	
Rated service short-circuit breaking capacity Ics(kA)	10	18	18	25	27	36	25	27	36	
Mechanical Endurance	8500			8500			7000			
Electrical Endurance	1500			1500			1000			
Installation										
Front connection(FC)	■			■			■			
Straight extension bars(FB)	■			■			■			
Spread extension bars(FB)	■			■			■			
Rear connection(RC)	■			■			■			
Phase barrier	■			■			■			
Box clamp	-			3P available			3P available			
Dimensions	3P	75x133x82			K: 92x150x90 M: 92x150x110			K&H: 106x165x109 M: 107x165x127		
mm (LxWxH)	4P	100x133x82			K: 122x150x90 M: 122x150x110			K&H: 141x165x109 M: 141x165x127		

“■” shows it has this option; “-” means it has no this option.



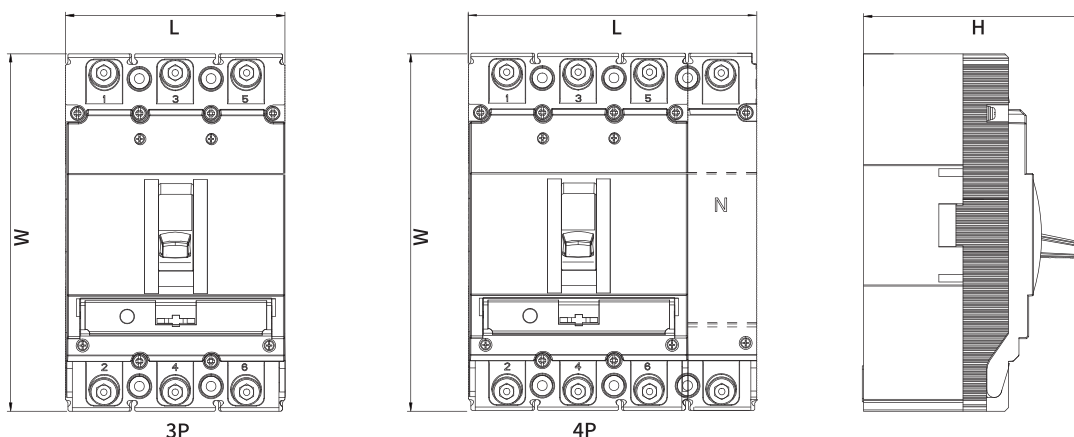
F-Type moulded case circuit breaker		Fixed Type								
Frame Size		400				630			800	
Model		400 F				630 F			800 F	
Number of poles		3.4				3.4			3.4	
Rated current (A) In		225,250,280, 300,315,350,400				400,500,630			630, 700,800	
Standard		IEC60947-2								
Reference temperature		40/50/55°C								
Rated operational voltage		380/400/415V AC								
Rated insulation voltage Ui (V)		800								
Rated impulse withstand voltage Uimp (kV)		8								
Breaking capacity level		K	M	R	U	M	R	U	R	U
Rated ultimate short-circuit breaking capacity Icu(kA)		36	50	65	100	50	65	100	65	100
Rated service short-circuit breaking capacity Ics(kA)		36	50	50	75	50	50	75	50	75
Mechanical Endurance		4000				4000			2500	
Electrical Endurance		1000				1000			500	
Installation										
Front connection(FC)		■				■			■	
Straight extension bars(FB)		■				■			■	
Spread extension bars(FB)		■				■			■	
Rear connection(RC)		■				■			■	
Phase barrier		■				■			■	
Dimensions	3P	150x257x148				1150x257x148			210x280x155	
mm (LxWxH)	4P	198x257x148				198x257x148			280x280x155	

“■” shows it has this option; “-” means it has no this option.



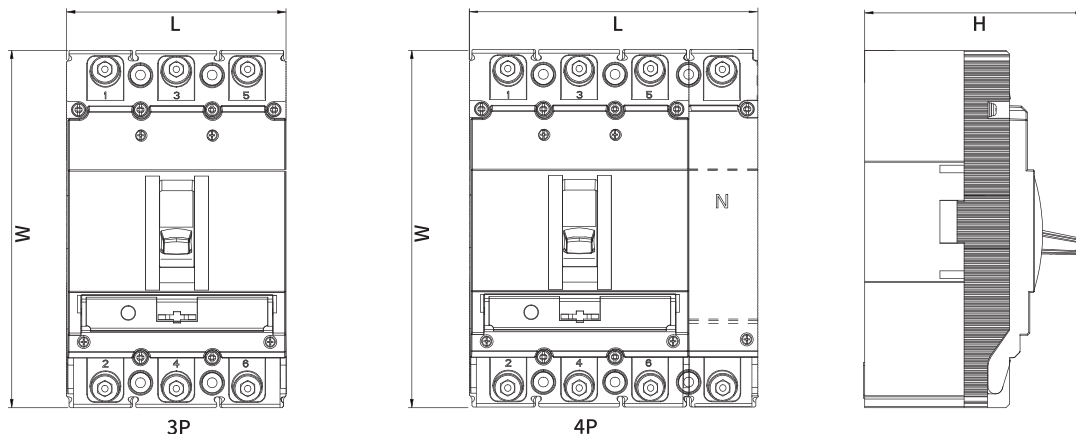
A-Type moulded case circuit breaker		Thermal Adjustable Type							
Frame Size		125		160		250			
Model		125 A		160 A		250 A			
Number of poles		3.4		3.4		3.4			
Rated current (A) In		40.50.63.80. 100.125		16,20,25,32, 40,50,63,80, 100,125,140, 150,160		100,125,140,150, 160,175,180,200, 225,250			
Thermo-adjustable setting Ir(xIn)		0.8/0.9/1.0							
Standard		IEC60947-2							
Reference temperature		40/50/55°C							
Rated insulation voltage Ui (V)		690		800					
Rated impulse withstand voltage Uimp (kV)		8							
Breaking capacity level		D	H	K	K	M	H	K	M
Rated ultimate short-circuit breaking capacity Icu(kA)		10	25	36	36	50	25	36	50
Rated service short-circuit breaking capacity Ics(kA)		10	18	25	27	36	25	27	36
Mechanical Endurance		8500		8500		7000			
Electrical Endurance		1500		1500		1000			
Fixed magnetic trip		■		■		■			
Installation									
Front connection(FC)		■		■		■			
Straight extension bars(FB)		■		■		■			
Spread extension bars(FB)		■		■		■			
Rear connection(RC)		■		■		■			
Phase barrier		■		■		■			
Box clamp		-		3P available		3P available			
Dimensions		3P		75x133x82		K: 92x150x90 M: 92x150x110		K&H: 106x165x109 M: 107x165x127	
mm (LxWxH)		4P		100x133x82		K: 122x150x90 M: 122x150x110		K&H: 141x165x109 M: 141x165x127	

“■” shows it has this option; “-” means it has no this option.



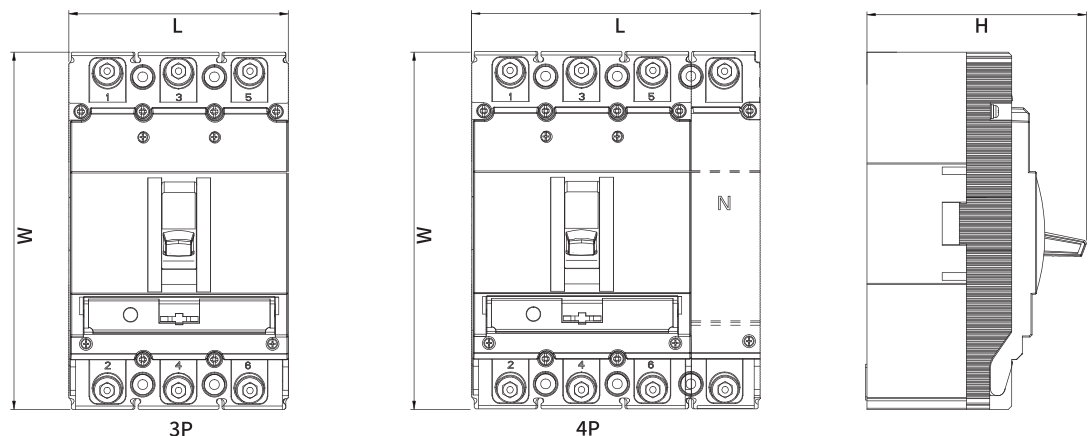
A-Type moulded case circuit breaker	Thermal Adjustable Type										
Frame Size	400			630			800				
Model	400 A			630 A			800 A				
Number of poles	3.4			3.4			3.4				
Rated current (A) In	225,250,280,300, 315,350,400			400,500,630			630,700, 800				
Thermo-adjustable setting Ir(xIn)	0.8/0.9/1.0										
Standard	IEC60947-2										
Reference temperature	40/50/55°C										
Rated insulation voltage Ui (V)	800										
Rated impulse withstand voltage Uimp (kV)	8										
Breaking capacity level	K	M	R	U	M	R	U	R	U	U	
Rated ultimate short-circuit breaking capacity Icu(kA)	36	50	65	100	50	65	100	65	100	100	
Rated service short-circuit breaking capacity Ics(kA)	36	50	50	75	50	50	75	50	75	75	
Mechanical Endurance	4000			4000			2500				
Electrical Endurance	1000			1000			500				
Fixed magnetic trip	■			■			■				
Installation											
Front connection(FC)	■			■			■				
Straight extension bars(FB)	■			■			■				
Spread extension bars(FB)	■			■			■				
Rear connection(RC)	■			■			■				
Phase barrier	■			■			■				
Dimensions mm (LxWxH)	3P	150x257x148			150x257x148			210x280x155			
	4P	198x257x148			198x257x148			280x280x155			

“■” shows it has this option; “-” means it has no this option.

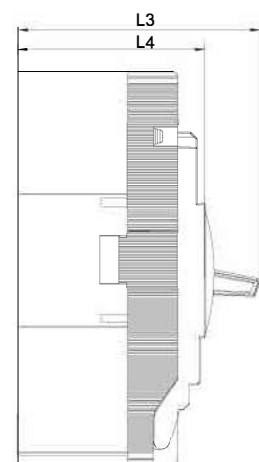
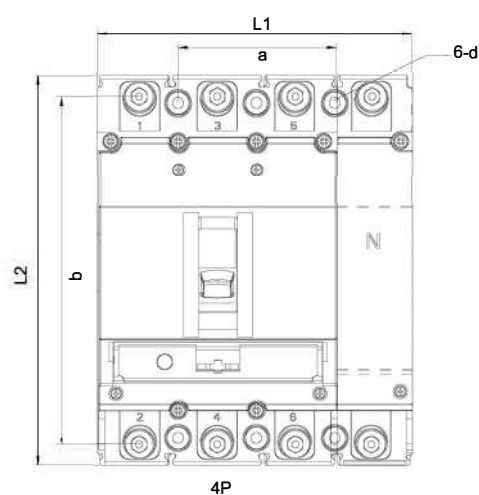
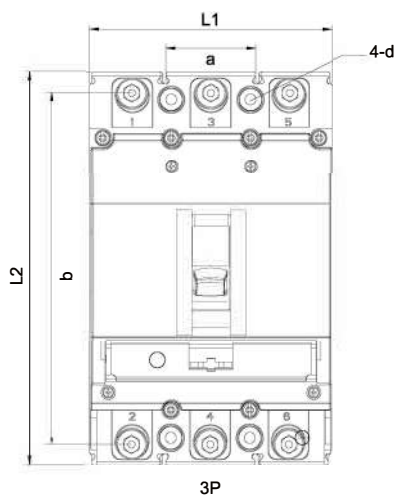


H-Type moulded case circuit breaker	Thermal & Magntic Adjustable Type												
Frame Size	125			400			630			800			
Model	125 H			400H			630H			800H			
Number of poles	3.4			3.4			3.4			3.4			
Rated current (A) In	40.50.63.80. 100.125			225,250,280,300, 315,350,400			400.500. 630			630,700, 800			
Magnetic-adjustable setting Ii(xIn)	8/10/12												
Thermo-adjustable setting Ir(xIn)	0.8/0.9/1.0												
Standard	IEC60947-2												
Reference temperature	40/50/55°C												
Rated insulation voltage Ui (V)	690			800									
Rated impluse withstand voltage Uimp (kV)	8												
Breaking capacity level	D	H	K	K	M	R	U	M	R	U	R	U	
Rated ultimate short-circuit breaking capacity Icu(kA)	10	25	36	36	50	65	100	50	65	100	65	100	
Rated service short-circuit breaking capacity Ics(kA)	10	18	25	36	50	50	75	50	50	75	50	75	
Mechanical Endurance	8500			4000			4000			2500			
E lectrical Endurance	1500			1000			1000			500			
Installation													
Front connection(FC)	■			■			■			■			
Straight extension bars(FB)	■			■			■			■			
Spread extension bars(FB)	■			■			■			■			
Rear connection(RC)	■			■			■			■			
Phase barrier	■			■			■			■			
Dimensions mm (LxWxH)	3P	75x133x82			150x257x148			150x257x148			210x280x155		
	4P	100x133x82			198x257x148			198x257x148			280x280x155		

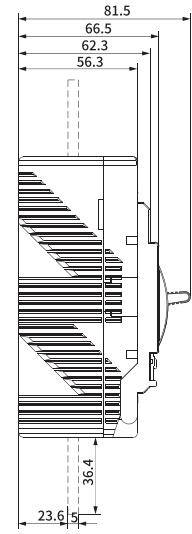
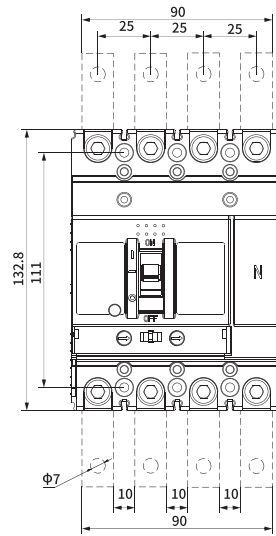
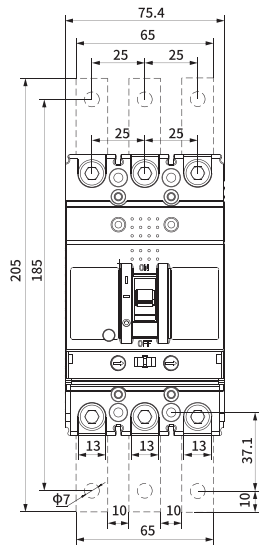
“■” shows it has this option; “-” means it has no this option.



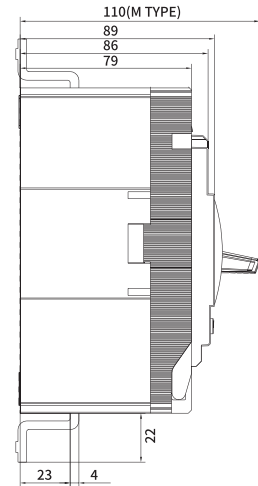
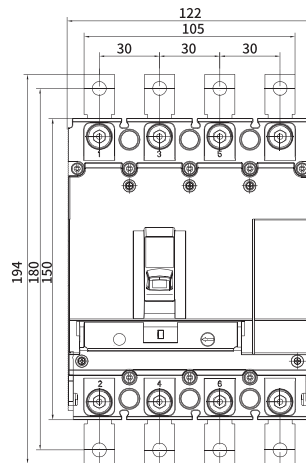
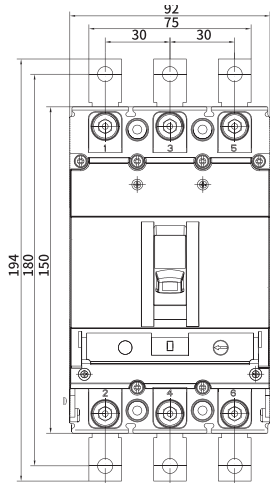
Applicable frame size	Poles	Outline Dimension				Installation Dimension		
		L1	L2	L3	L4	a	b	d
125 F/A/H (10KA)	3	75	133	82	66.5	25	111	Ø3.5
	4	100	133	82	66.5	50	111	Ø3.5
125 F/A/H (18&25KA)	3	75	133	82	66.5	25	111	Ø3.5
	4	100	133	82	66.5	50	111	Ø3.5
125 F/A/H (36KA)	3	75	133	82	66.5	25	111	Ø3.5
	4	100	133	82	66.5	50	111	Ø3.5
160 F/A (36KA)	3	92	150	90	72	30	129	Ø4.5
	4	122	150	90	72	60	129	Ø4.5
160 F/A (50KA)	3	92	150	110	90	30	129	Ø4.5
	4	122	150	110	90	60	129	Ø4.5
250 F/A (25&36KA)	3	106	165	109	91	35	126	Ø4.5
	4	141	165	109	91	70	126	Ø4.5
250 F/A (50KA)	3	107	165	127	109	35	126	Ø4.5
	4	141	165	127	109	70	126	Ø4.5
400 F/A/H (36&50&65KA)	3	150	257	148	114	44	194	Ø7
	4	198	257	148	114	88	194	Ø7
400 F/A/H (100KA)	3	150	257	148	114	44	194	Ø7
	4	198	257	148	117	88	194	Ø7
630 F/A/H (50&65KA)	3	150	257	148	120	44	194	Ø7
	4	198	257	148	120	88	194	Ø7
630 F/A/H (100KA)	3	150	257	148	120	44	194	Ø7
	4	198	257	148	120	88	194	Ø7
800 F/A/H (65KA)	3	210	280	155	125	70	243	Ø7
	4	280	280	155	125	140	243	Ø7
800 F/A/H (100KA)	3	210	280	155	125	70	243	Ø7
	4	280	280	155	125	140	243	Ø7



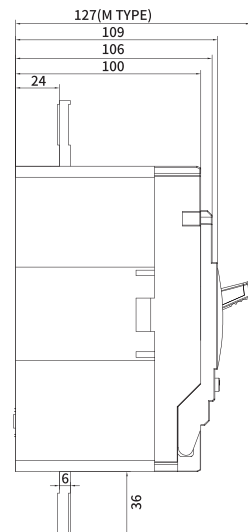
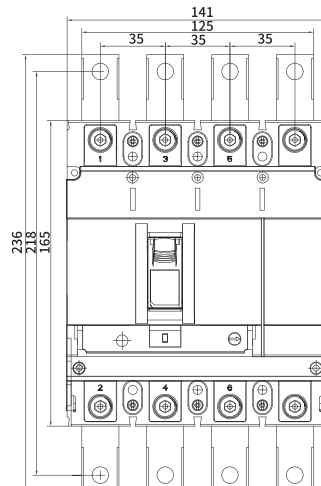
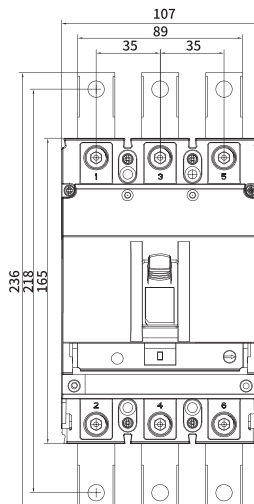
125 F/A/H 3 POLES & 4 POLES



160 F/A/ (50 KA) 3 POLES & 4 POLES

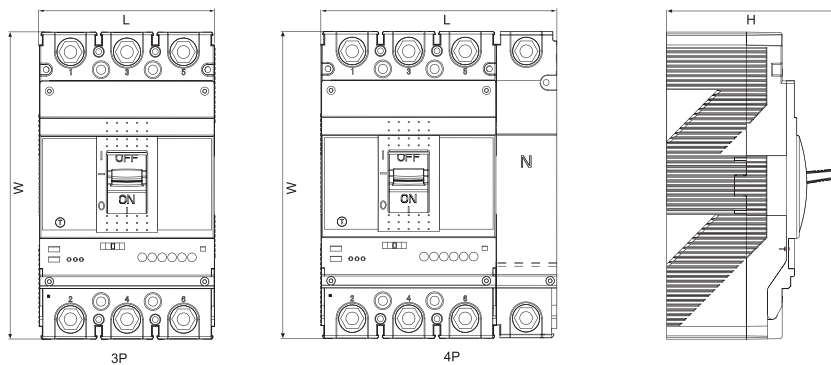


250 F/A/ (50 KA) 3 POLES & 4 POLES



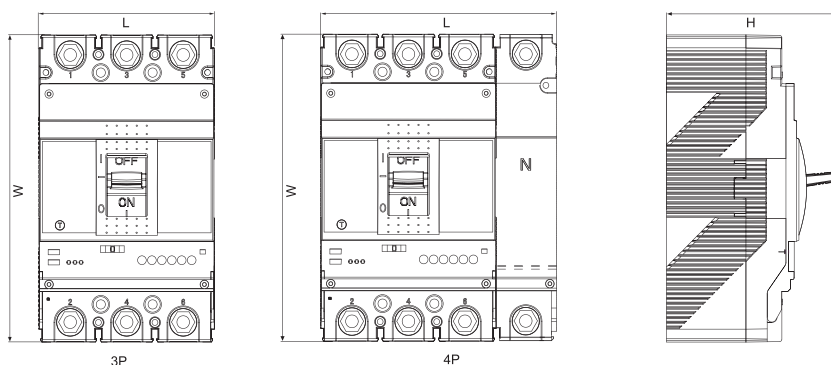
E-Type moulded case circuit breaker	Electronic Type with button					
Frame Size	160		250		400	
Model	160 E		250 E		400 E	
Number of poles	3		3		3.4	
Rated current (A) In	100,125, 140,160		100,125,140 160,180,200, 225,250		160,190,225, 250,275,300, 325,350,375,400	
Standard	IEC60947-2					
Reference temperature	40/50/55°C					
Rated insulation voltage Ui (V)	800					
Rated impulse withstand voltage Uimp (kV)	8					
Breaking capacity level	J	M	J	M	R	U
Rated ultimate short-circuit breaking capacity Icu(kA)	35	50	35	50	65	100
Rated service short-circuit breaking capacity Ics(kA)	22	35	22	35	50	75
Mechanical Endurance	8500		7000		4000	
Electrical Endurance	1500		1000		1000	
Electronic button display	■		■		■	
Installation						
Front connection(FC)	■		■		■	
Straight extension bars(FB)	■		■		■	
Spread extension bars(FB)	■		■		■	
Rear connection(RC)	■		■		■	
Phase barrier	■		■		■	
Dimensions mm (LxWxH)	3P	92x150x110		107x165x127		150x257x148
	4P	-		-		198x257x148

“■” shows it has this option; “-” means it has no this option.



E-Type moulded case circuit breaker	Electronic Type with button			
Frame Size	630		800	
Model	630 E		800 E	
Number of poles	3,4		3,4	
Rated current (A) In	250,300,350,400,435,475,515,550,595,630		320,435,550,630,660,690,715,745,770,800	
Standard	IEC60947-2			
Reference temperature	40/50/55°C			
Rated insulation voltage Ui (V)	800			
Rated impulse withstand voltage Uimp (kV)	8			
Breaking capacity level	R	U	R	U
Rated ultimate short-circuit breaking capacity Icu(kA)	65	100	65	100
Rated service short-circuit breaking capacity Ics(kA)	50	75	50	75
Mechanical Endurance	4000		2500	
Electrical Endurance	1000		500	
Electronic button display	■		■	
Installation				
Front connection(FC)	■		■	
Straight extension bars(FB)	■		■	
Spread extension bars(FB)	■		■	
Rear connection(RC)	■		■	
Phase barrier	■		■	
Dimensions mm (LxWxH)	3P	150x257x148	210x280x155	
	4P	198x257x148	280x280x155	

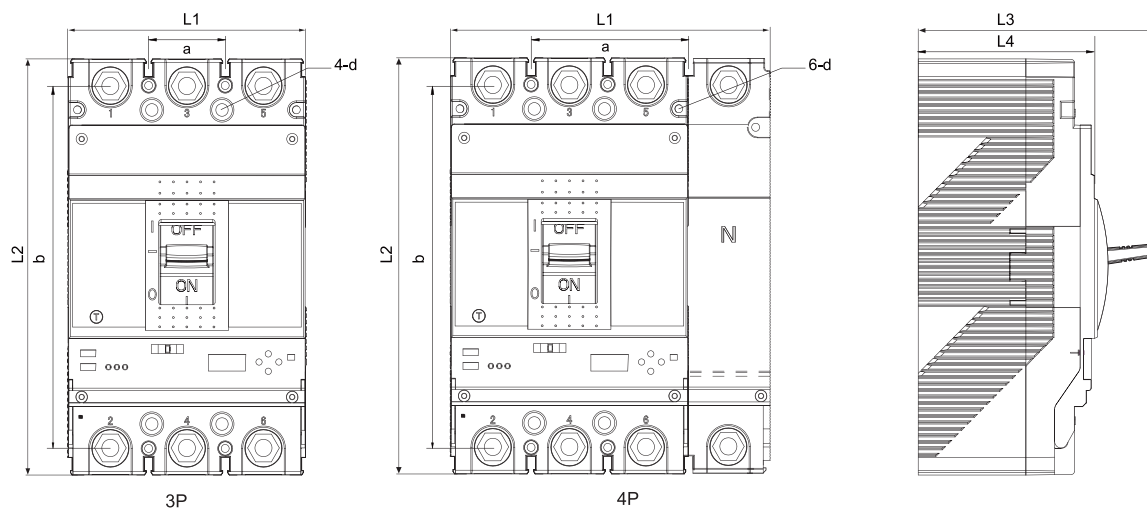
“■” shows it has this option; “-” means it has no this option.



Setting Parameters for MCCB with buttom

Frame Size	400A	630A	800A
I _r (A)= Long delay current rage	0.4-1.0xI _n	0.4-1.0xI _n	0.4-1.0xI _n
I _r (A)= Long delay current setting	160,190,225,252,275, 300,325,350,375, 400A	252,300,350,400,435 475,515,550,595,630A	320,435,550,630, 660,690,715,745, 770,800A
t _r (S)= Long delay time	12,60,100,150 sec+OFF	12,60,100,150 sec+OFF	12,60,100,150 sec+OFF
I _{sd} (A)=short circuit protection of low level faults	2,2,5,3,4 5,6,7,8,10 12 x I _r (A)	2,2,5,3,4 5,6,7,8,10 12 x I _r (A)	2,2,5,3,3 5,6,7,8,10 10 x I _r (A)
t _{sd} (s)=short circuit protection of low level faults	0.06,0.1,0.2, 0.3,0.4,0.5,1.0 sec+OFF	0.06,0.1,0.2,0.3, 0.4,0.5,1.0, sec+OFF	0.06,0.1,0.2,0.3, 0.4,0.5,1.0, sec+OFF
I _i (A)=short circuit protection of high level faults	4,6,7,8,9,10 11,12,14 xI _r (A)+OFF	4,6,7,8,9,10 11,12,14 xI _r (A)+OFF	4,5,6,7,8,9,10 11,12, xI _r (A)+OFF
I _i (A)=short circuit protection of high level faults	0.7,0.75,0.8,0.85,0.9 ,0.95,1.0xI _r (A)	0.7,0.75,0.8,0.85,0.9 ,0.95,1.0xI _r (A)	0.7,0.75,0.8,0.85, 0.9,0.95,1.0xI _r (A)
For 4P I _g (A)=Ground fault pickup current	0.2,0.3,0.4,0.5,0.7 0.8,0.9, 1.0xI _n + OFF	0.2,0.3,0.4,0.5,0.6,0.7 0.8,0.9, 1.0xI _n + OFF	0.2,0.3,0.4,0.5, 0.6,0.7,0.8,0.9, 1.0xI _n + OFF
For 4P t _g (S)=Ground fault pickup time	Fixed for 0.4 sec	Fixed for 0.4 sec	Fixed for 0.4 sec

Applicable frame size	Poles	Outline Dimension				Installation Dimension		
		L1	L2	L3	L4	a	b	d
160 E	3	92max	150max	110max	87max	30max	129max	Ø4.5
250 E	3	107max	165max	127max	90max	35max	126max	Ø4.5
400 E	3	150max	257max	148max	111max	48max	194max	Ø7.0
	4	198max	257max	148max	111max	48max	194max	Ø7.0
630 E	3	150max	257max	148max	111max	48max	194max	Ø7.0
	4	198max	257max	148max	111max	48max	194max	Ø7.0
800 E	3	210max	280max	155max	121max	70max	243max	Ø7.0
	4	254max	280max	155max	121max	70max	243max	Ø7.0





AX (Auxiliary contact)



AL (Alarm switch)



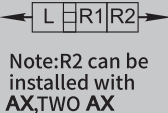
ST (Shunt trip)



UV (Under-voltage release)



Item	Accessories	125A	160A	250A	400A	630A	800A
		4P	4P	4P	4P	4P	4P
F TYPE (125-800A Frame)	AL						
	ST						
	AX						
	UV						
	AL+AX						
	TWO AX						
	ST,AX						
	ST,AL						
	ST,AL+AX						
	ST,TWO AX						
	ST,UV						
	UV,ST						
	UV,AX						
	UV,AL						
	UV,AL+AX						
H TYPE (125,400-800A frame)	UV,TWO AX						
	AX,AL						
	AX,ST						
	AX,AL+AX						
	AX,TWO AX						
E TYPE (160-800A Frame)	AX,UV						
	AL,AX						
	AL,ST						
	AL,AL+AX						
	AL,TWO AX						
	AL,UV						
	AL+AX,AX						
	AL+AX,AL						
	AL+AX,ST						
	AL+AX,TWO AX						
	AL+AX,UV						
	TWO AX,AX						
	TWO AX,AL						
	TWO AX,ST						
	TWO AX,AL+AX						
TWO AX,UV							





Spreader Links



Phase Barrier



Plug-in Rear Connection



Plug-in Connecting Terminal



Fixed Rear Connection



Mechanical Interlock

	F TYPE		A TYPE		H TYPE		E TYPE	
	3P 125-800A	4P 125-800A	3P 125-800A	4P 125-800A	3P 125,400 -800A	4P 125,400 -800A	3P 160-800A	4P 160-800A
Spreader links	■	■	■	■	■	■	■	■
Phase barrier	■	■	■	■	■	■	■	■
Plug-in Connecting Terminal	■	■	■	■	■	■	■	■
Plug-in Rear Connection	■	■	■	■	■	■	■	■
Fixed Rear Connection	■	■	■	■	■	■	■	■
Mechanical Interlock	■	■	■	■	■	■	■	■



AC Motor Mechanism



Round Extended Rotary Handle



Square Extended Rotary Handle



Plug-in Front Connection



Drawer-out Rear Connection



Terminal cover



Extended Handle

	F TYPE		A TYPE		H TYPE		E TYPE	
	3P 125- 800A	4P 125- 800A	3P 125- 800A	4P 125- 800A	3P 125,400 -800A	4P 125,400 -800A	3P 160- 800A	4P 160- 800A
AC Motor Mechanism	■	■	■	■	■	■	■	■
Round Extended Rotary Handle	■	■	■	■	■	■	■	■
Plug-in Connecting Terminal	■	■	■	■	■	■	■	■
Plug-in Rear Connection	■	■	■	■	■	■	■	■
Drawer-out rear Connection	-	-	-	-	-	■	■	■
Terminal cover	160- 400A	-	160- 400A	-	-	-	-	-
Extended Handle	400-800A available							

BETA ELECTRIC



BE Elektrik San. Ve Tic. AS; Barbos Mah. Alzambak Sok.
Varyap Meridian Sitesi A blok kat 17 D. 155 -Atasehir-Istanbul/Turkey



Sales@betaelectric.co / info@betaelectric.co



www.betaelectric.co



Beta Electric بيتا إلكترونيك



Beta Electric بيتا إلكترونيك

